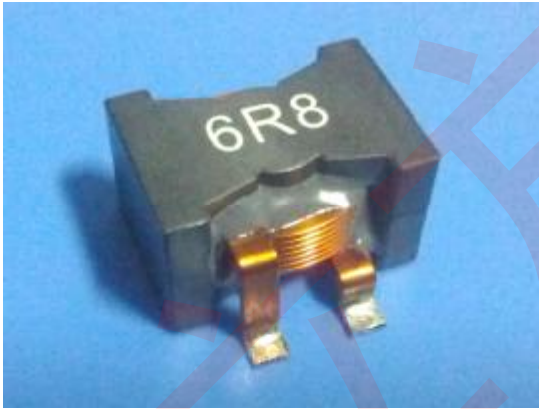




SER 2817 2915 2918SERIES



Features:

- Perfect for high current
- Extremely low DCR
- Low voltage power supply applications
- High power DC power supply

Part numbering system

SER 2 9 1 8 H T — 1 0 0 M

① ② ③ ④ ⑤ ⑥

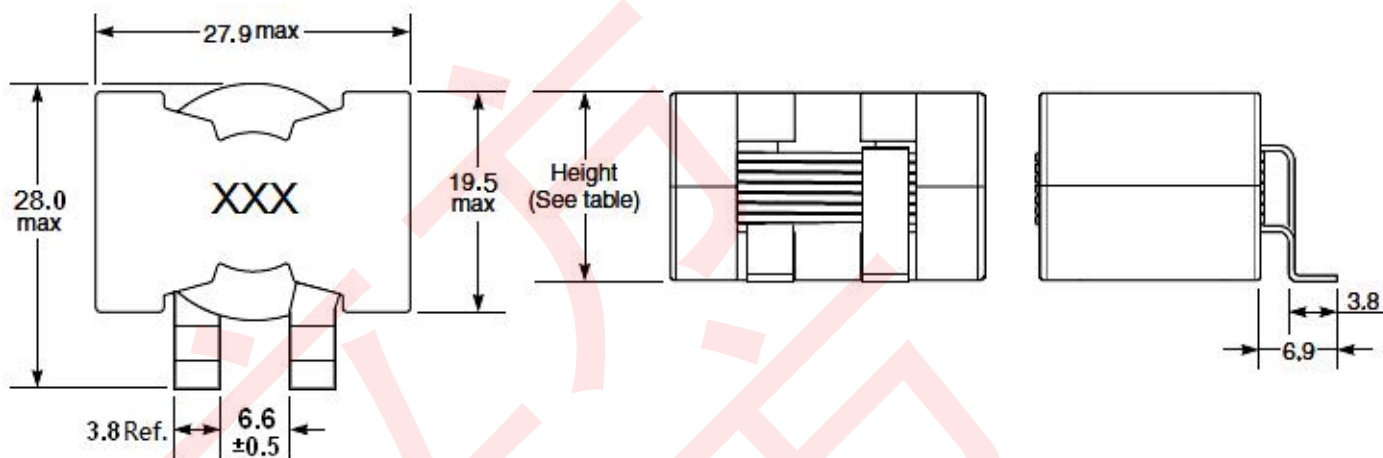
- ① Series Name: MCT Part No. system.
- ② Size Codes: 2915, 2817, 2918.
- ③ DCR Type: H high DCR, L Low DCR.
- ④ Inductance Codes: 100 10uH, 4R7 4.7uH, 220 22uH.
- ⑤ Pins Type: T-Mounting false pins type, No-2 pins type or Mounting base.
- ⑥ Inductance Tolerance: K $\pm 10\%$ L $\pm 15\%$ M $\pm 20\%$

Mechanical dimension: (Unit: mm)

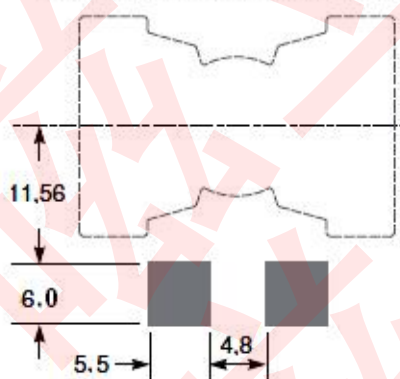
See next page.



SER 2817 2915 2918SERIES



Recommended Land Pattern



Not: 无假脚。

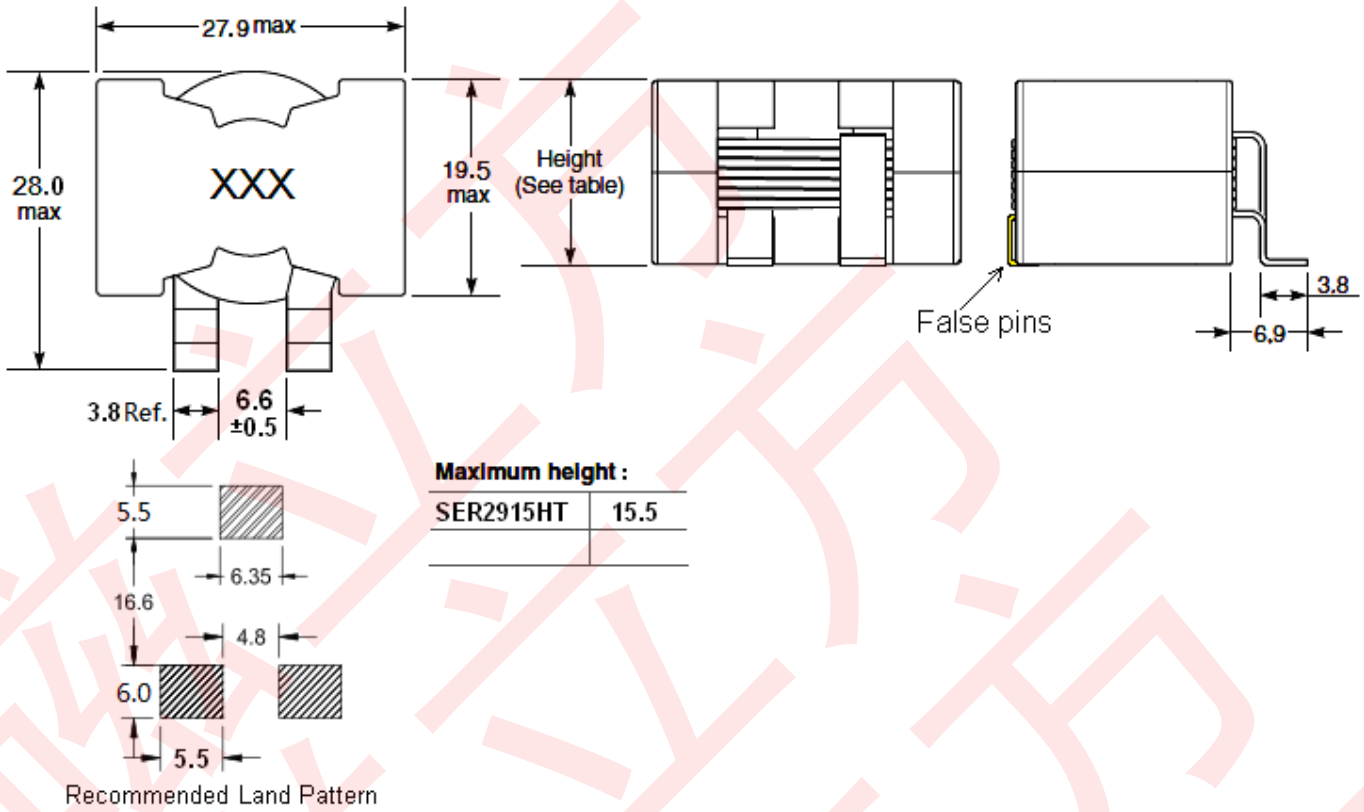
Maximum height:

SER2817H	16.8
----------	------

PART NO.	L(0A) (uH)	DCR(mΩ)		SRF(MHz) TYPE	Isat(A)		I _{rms} (A) 40°C rise
		Nom.	Max.		20% drop	30% drop	
SER2817H-3R3M	3.3±20%	2.45	2.8	40	92.5	93.6	28
SER2817H-4R7M	4.7±20%	2.45	2.8	30	61.2	62.4	28
SER2817H-6R8M	6.8±20%	2.45	2.8	25	45.0	45.9	28
SER2817H-100M	10±20%	2.45	2.8	20	31.2	32.1	28
SER2817H-150M	15±20%	2.45	2.8	16	21.2	21.9	28
SER2817H-220M	22±20%	2.45	2.8	15	14.0	15.0	28
SER2817H-330M	33±20%	2.45	2.8	10	8.7	9.6	28



SER 2817 2915 2918SERIES



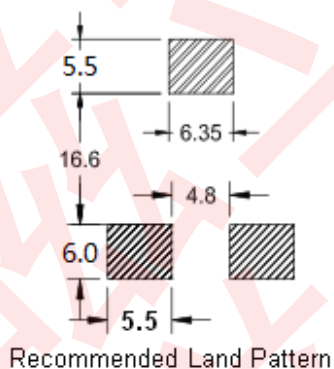
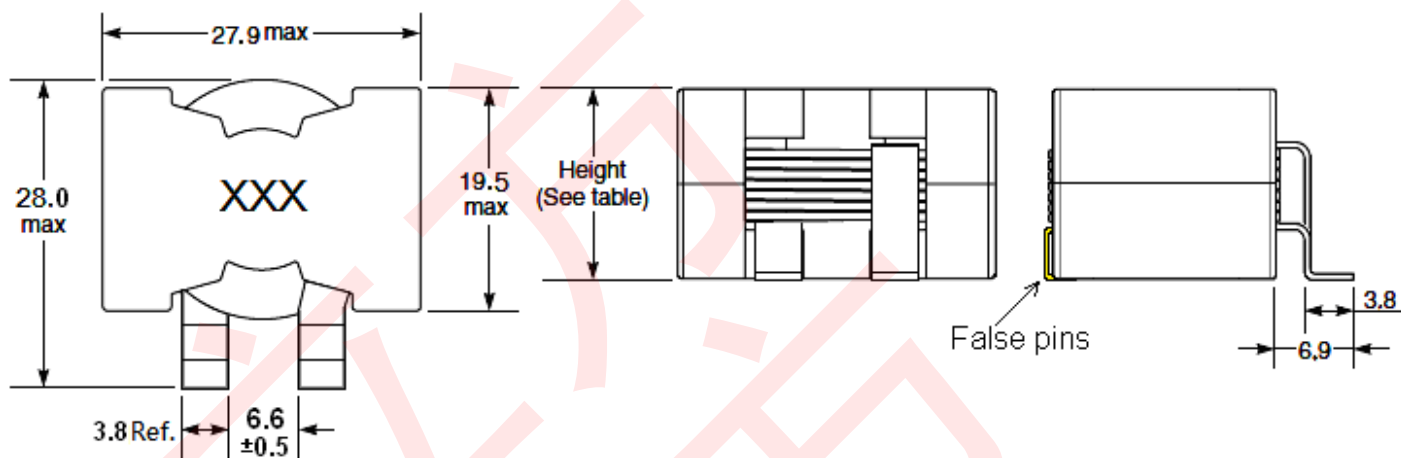
Electrical Characteristics:

TEST CONDITION: AT 25°C, 100KHz/ 0.1V

PART NO.	L(0A) (uH)	DCR(mΩ)		SRF(MHz) TYPE	Isat(A)		Irms(A) 40°C rise
		Nom.	Max.		20% drop	30% drop	
SER2915HT-1R5M	1.5±20%	1.58	1.8	50	>100	>100	30
SER2915HT-2R2M	2.2±20%	1.58	1.8	40	>100	>100	30
SER2915HT-3R3M	3.3±20%	1.58	1.8	30	66.9	68.4	30
SER2915HT-4R7M	4.7±20%	1.58	1.8	25	48.0	50.1	30
SER2915HT-6R8M	6.8±20%	1.58	1.8	20	34.5	36.2	30
SER2915HT-100M	10±20%	1.58	1.8	15	21.5	23.4	30



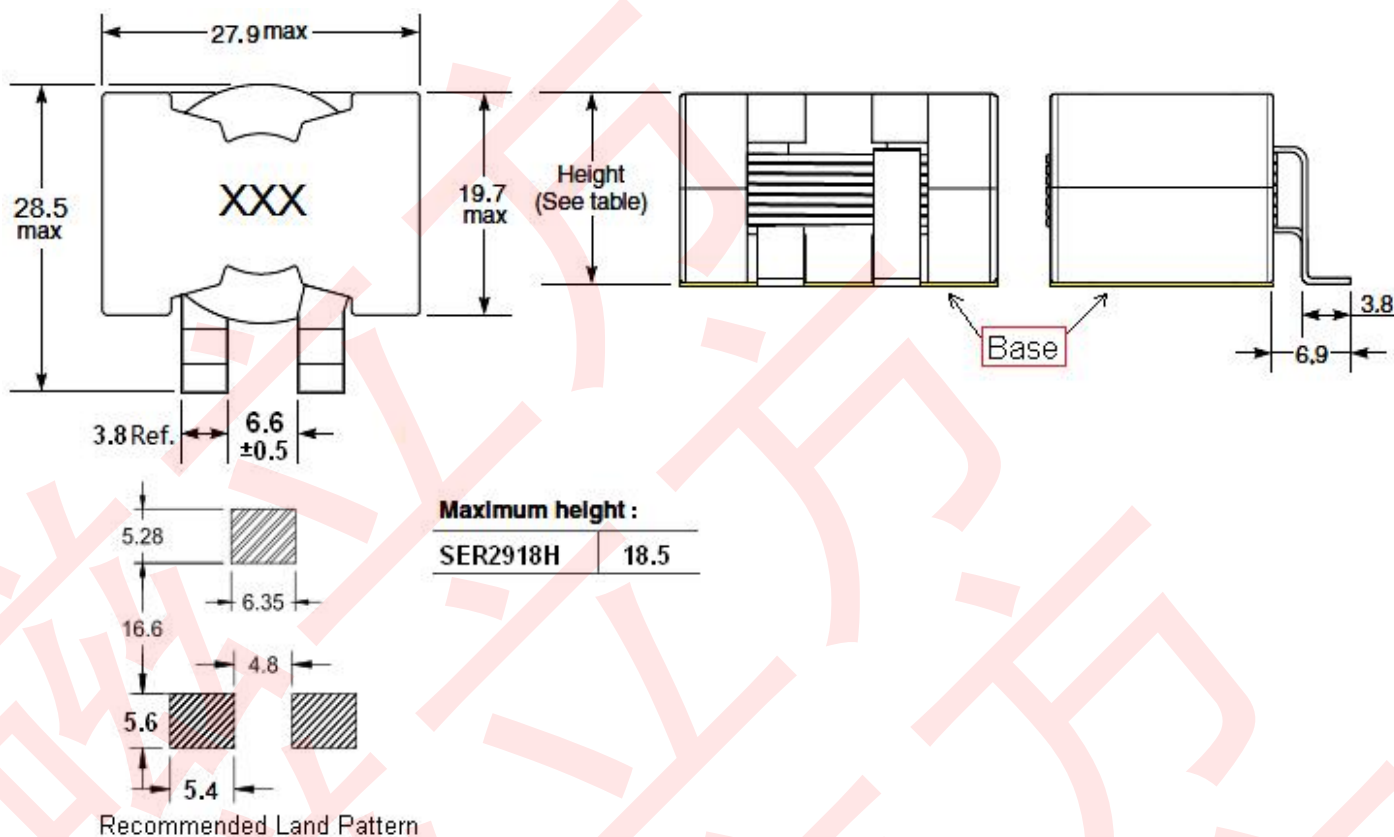
SER 2817 2915 2918SERIES



PART NO.	L(0A) (uH)	DCR(mΩ)		SRF(MHz) TYPE	Isat(A)		I _{rms} (A) 40°C rise
		Nom.	Max.		20% drop	30% drop	
SER2918HT-3R3M	3.3±20%	2.45	2.8	40	92.5	93.6	28
SER2918HT-4R7M	4.7±20%	2.45	2.8	30	61.2	62.4	28
SER2918HT-6R8M	6.8±20%	2.45	2.8	25	45.0	45.9	28
SER2918HT-100M	10±20%	2.45	2.8	20	31.2	32.1	28
SER2918HT-150M	15±20%	2.45	2.8	16	21.2	21.9	28
SER2918HT-220M	22±20%	2.45	2.8	15	14.0	15.0	28
SER2918HT-330M	33±20%	2.45	2.8	10	8.7	9.6	28



SER 2817 2915 2918SERIES



PART NO.	L(0A) (uH)	DCR(mΩ)		SRF(MHz) TYPE	Isat(A)		I _{rms} (A) 40°C rise
		Nom.	Max.		20% drop	30% drop	
SER2918H-3R3M	3.3±20%	2.45	2.8	40	92.5	93.6	28
SER2918H-4R7M	4.7±20%	2.45	2.8	30	61.2	62.4	28
SER2918H-6R8M	6.8±20%	2.45	2.8	25	45.0	45.9	28
SER2918H-100M	10±20%	2.45	2.8	20	31.2	32.1	28
SER2918H-150M	15±20%	2.45	2.8	16	21.2	21.9	28
SER2918H-220M	22±20%	2.45	2.8	15	14.0	15.0	28
SER2918H-330M	33±20%	2.45	2.8	10	8.7	9.6	28

Packing information:

Series Name and Note	PVC Box(mm)	Outer Box(mm)
SER2915HT(带假脚)	35pcs/PVC Box	280pcs/Box
SER2817H(无假脚)	35pcs/PVC Box	280pcs/Box
SER2918HT(带假脚) SER2918H(带底板)	35pcs/PVC Box	280pcs/Box